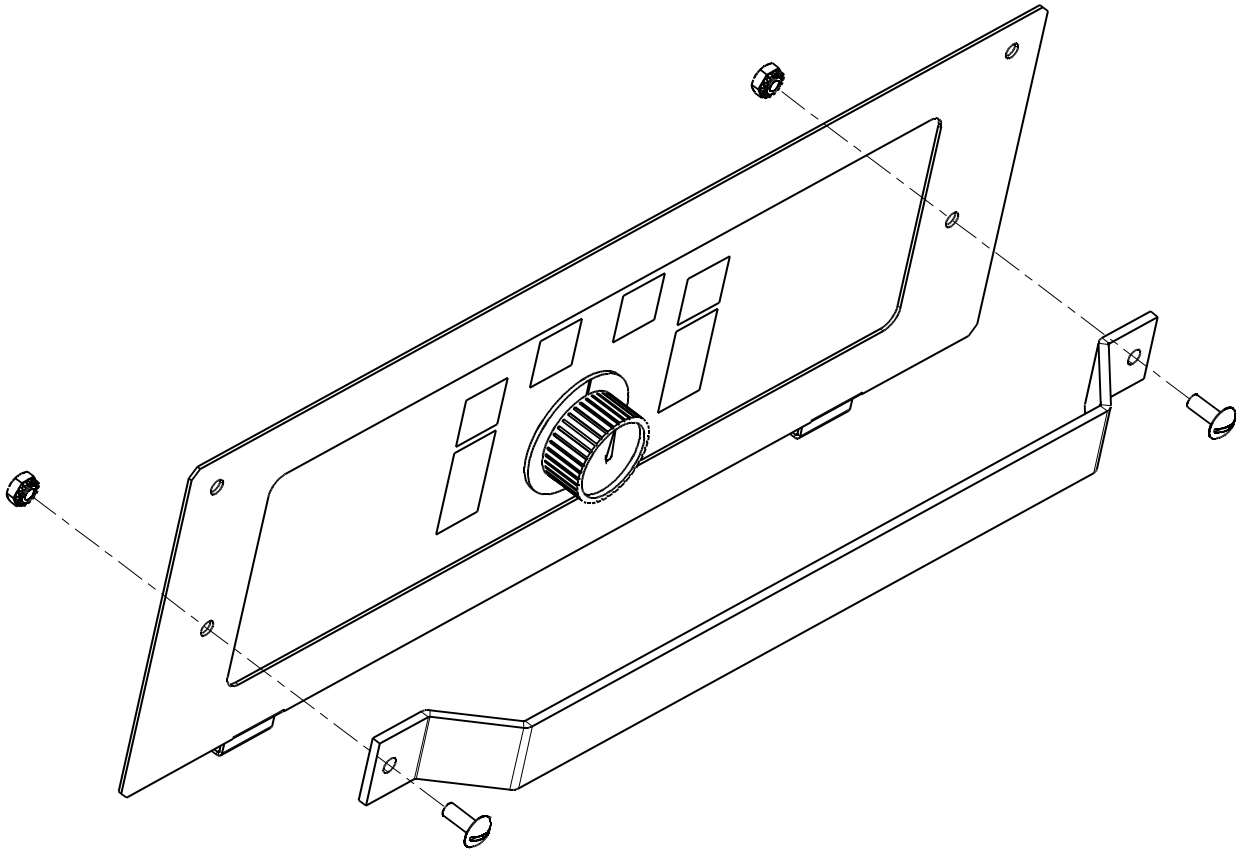


# CONTROL PANEL TEMPERATURE KNOB GUARD KIT 826-1610 INSTALLATION INSTRUCTIONS



1. Position the guard on the control panel so that the guard passes directly over the temperature control knob and is centered left to right on the panel.
2. Using the guard as a template, mark the location of the mounting holes.
3. Drill  $3/16^{\text{th}}$  inch holes at the locations marked.
4. Remove the two screws from the upper corners of the control panel and swing the panel open.
5. Install the guard using the two 10-32 screws and nuts provided in the kit.
6. Clean drill shavings from equipment.
7. Close the panel and replace the screws removed in Step 4.